



PRODUCT INFORMATION S901-Frei1Pla-URST_TY_EN - 05.12.2016 - www.vs-furniture.com

Serie 901 Freely-shaped table I with round U-shaped leg, post with disc foot.

Construction with a centrally-positioned tubular-steel cross-member with welded-on brackets.

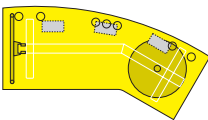
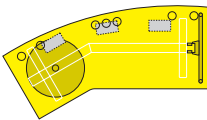
Table top of a LIGNOpal (melamine-resin), veneered or linoleum covered chipboard with plastic or wooden edges. The corners are either square or rounded.

Electrification (optional) is provided 1.) by means of push-on plastic cable clips or 2.) in the side segment by a fabric trough which is hinged on both sides.

Cable outlets (optional) are achieved 1.) through a maximum of 4 metal outlets or 2.) by means of an E-Box for power and data connections, in each case on the left, in the middle and on the right.

Supporting element (refer to table for position) consists of a U-shaped tubular-steel leg and a post of powder-coated steel with disc foot (stainless-steel cover). Optional step height adjustment.

The following material groups are available to choose from: Frame made of steel tube: M2; Top made of LIGNOpal-plastic/beechn: L6; Top made of linoleum: L8; Top veneered: F1.

...-URST ...-STUR			
L: U-shaped round tube R: Supporting post with disc foot	d = 90 / 80		21566
L: Supporting post with disc foot R: U-shaped round tube	d = 80 / 90		21567
	Monitor position	on the left / on the right	
	h =	72 (68-85)	
	w =	229	