



PRODUCT INFORMATION S901-KeilPla-SVVS_TY_EN - 05.12.2016 - www.vs-furniture.com

Serie 901

Wedge-shaped table with post with V-shaped foot, sideboard.

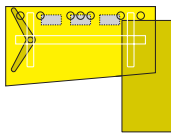
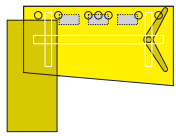
Construction with a tubular-steel cross-member positioned parallel to the back edge with welded-on brackets. Table top of a LIGNOpal (melamine-resin), veneered or linoleum covered chipboard with plastic or wooden edges. The corners are either square or rounded. Optional sliding top.

Electrification (optional) is provided 1.) by means of push-on plastic cable clips or 2.) by a fabric trough which is hinged on both sides.

Cable outlets (optional) are achieved 1.) through a maximum of 4 metal outlets or 2.) by means of an E-Box for power and data connections, in each case on the left, in the middle and on the right.

Supporting element (refer to table for position) consists of a post with V-shaped foot of powder-coated steel and a docking position for a sideboard. Optional step height adjustment of the post.

The following material groups are available to choose from: Frame made of steel tube: M2; Top made of LIGNOpal-plastic/beechn: L6; Top made of linoleum: L8; Top veneered: F1.

...-SWWS ...-VSSV	The table heights printed light grey are not possible with the listed supporting elements.		
L: Supporting post with V-shaped foot	d = 85 / 70	21540	
R: prepared for sideboard	d = 95 / 80	21544	
L: prepared for sideboard	d = 85 / 70		21541
R: Supporting post with V-shaped foot	d = 95 / 80		21545
	Monitor position	on the left	on the right
	h =	72 (68-80)	
	w =	180	